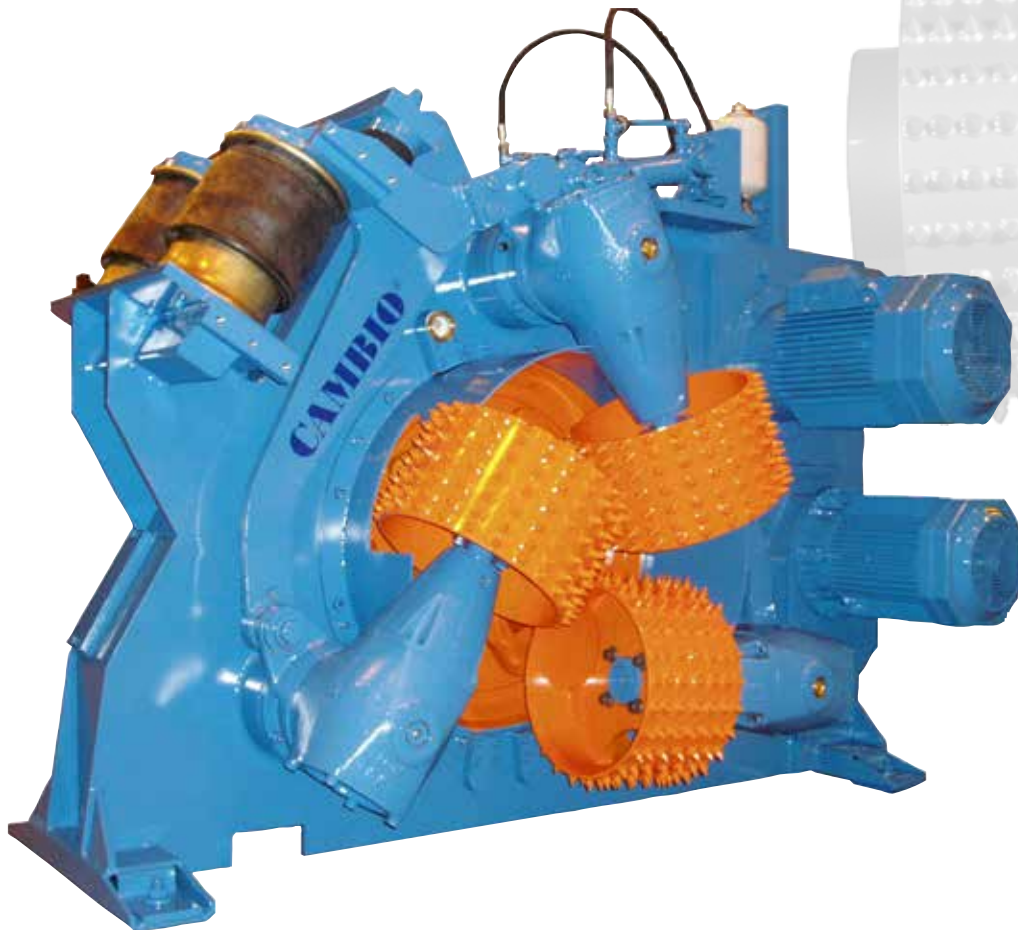
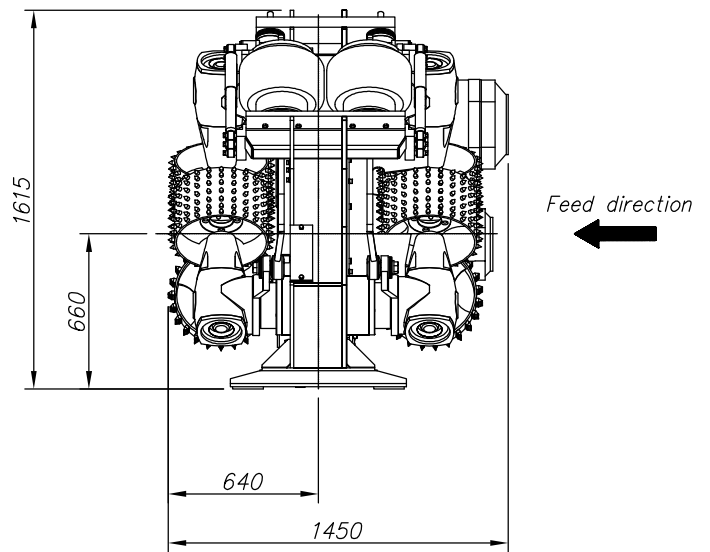
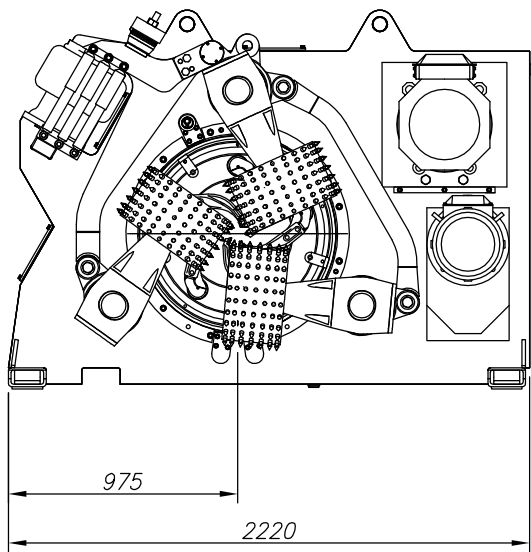


# CAMBIO<sup>®</sup> 460



## Small log debarking

CAMBIO 460 is a new, robust high speed debarker for small logs. Its simplicity, reliability, low service requirement and operating costs makes CAMBIO 460 the winner in its class for sawmills and log yards around the world. Triangular feedworks, carbide tipped tools operated by compressed air and air operated feed arm tensioners are some of its unique features. With CAMBIO 460 there is no need for compromises anymore. Clean logs without fiber loss!



## CAMBIO 460 TECHNICAL SPECIFICATIONS

Feed speed, up to	90 m/min
Rotor opening	460 mm
Minimum log diameter	65 mm
Rotor motor	30 kW
Feedwork motor	7,5 kW
Weight	3 150 kg

These data are approximate and given without obligation.

